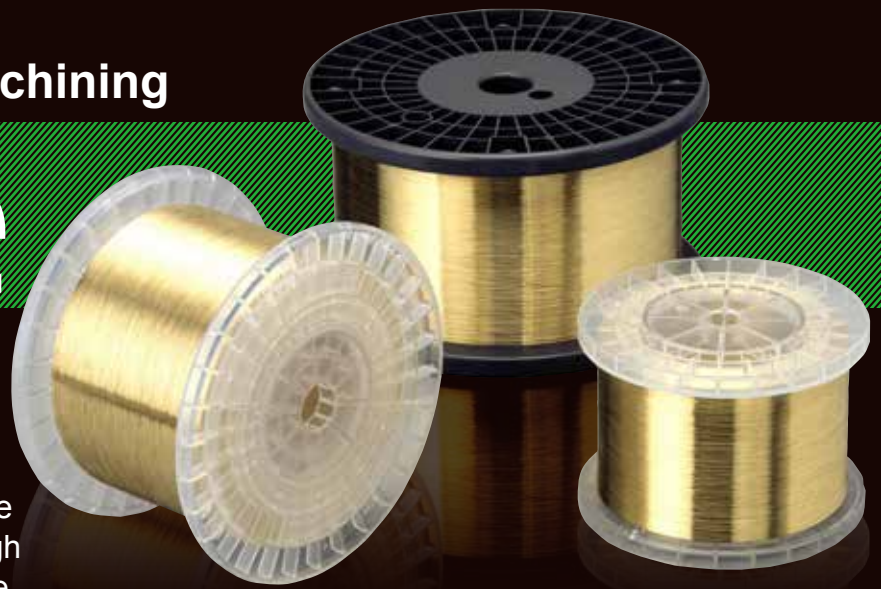


Wire electrodes for wire electric discharge machining

CT-Wire



RH Series Hard wire

(a compound product consisting of 65% Cu and 35% Zn)

In order to meet the strong demand for wire electrodes driven by high precision and high processing speed of wire electric discharge machines, we developed a general purpose wire capable of high precision machining. The RH Series product is compatible with all types of automatic wire connecting machines from all manufacturers. This wire electrode significantly expands choices related to machining equipment and conditions.

RH wire characteristics

Hard wire electrodes are manufactured from JIS C2700 type brass that proved itself in the role of electrode wire.

High dimensional accuracy

The product is manufactured with outer dimension accuracy (wire diameter tolerance) of ± 0.001 , and roundness within 0.001mm.

Excellent straightness

We strictly perform the test for the number of curls and waves using our original measurement method.

Stable quality

Our original know-how makes it possible to suppress the generation of brass powder, contributing to maintenance of electric discharge machines and reducing wear of the feeding element.

Product specifications

Material	Code	Nominal wire diameter [mm]	Tensile strength [N/mm ²]	Elongation [%]	Wire diameter tolerance [mm]	Roundness [mm]
JIS C2700W	H	0.20	Min. 980	Min. 0.4	± 0.001	Within 0.001
		0.25, 0.30	Min. 930			

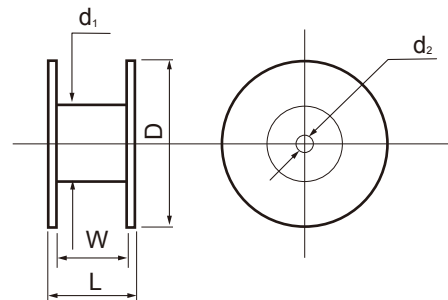
Line-up

Wire diameter	Bobbin (net weight)		
	P5 (5kg)	P10 (10kg)	P20 (20kg)
0.20	○	○	○
0.25	○	○	○
0.30	○	○	○

Bobbin shape (unit: mm)

Product name	D Flange diameter	d ₁ Barrel diameter	L Outer width	W Inner width	d ₂ Shaft hole diameter
P5	160	90	114	90	20
P10	200	90	134	110	25
P20	250	110	140	110	34

*Please contact the distributor for bobbin shapes not mentioned in this table.



Product list

Wire diameter	Non-paraffin products		Paraffin products		Weight (quantity)
	Product code	Product name	Product code	Product name	
Φ0.20	1029233	CTW-20RH-P5	1028233	CTW-20RH-P5S	5kg reel (4 pcs.)
Φ0.25	1029234	CTW-25RH-P5	1028234	CTW-25RH-P5S	
Φ0.30	1029235	CTW-30RH-P5	1028235	CTW-30RH-P5S	
Φ0.20	1029323	CTW-20RH-P10	1028323	CTW-20RH-P10S	10kg reel (2 pcs.)
Φ0.25	1029324	CTW-25RH-P10	1028324	CTW-25RH-P10S	
Φ0.30	1029325	CTW-30RH-P10	1028325	CTW-30RH-P10S	
Φ0.20	1029463	CTW-20RH-P20	1028463	CTW-20RH-P20S	20kg reel (1 pc.)
Φ0.25	1029464	CTW-25RH-P20	1028464	CTW-25RH-P20S	
Φ0.30	1029465	CTW-30RH-P20	1028465	CTW-30RH-P20S	

*Please contact the distributor for wire diameters, weights and bobbin sizes not mentioned in this table.



Chiba Techno Co.,Ltd.

■ **Head office** Klingelberg bldg 2F, Shin-Yokohama 1-13-12,
Kouhoku-ku, Yokohama-shi, Kanagawa, 222-0033
TEL : +81-45-473-9933 FAX : +81-45-473-9729

■ **Yuzawa Factory** Nakakawara 116-7,
Fukabori, Yuzawa-shi, Akita, 012-0051
TEL : +81-183-73-0106 FAX : +81-183-73-0199

<https://chb.co.jp/en/>

Distributor